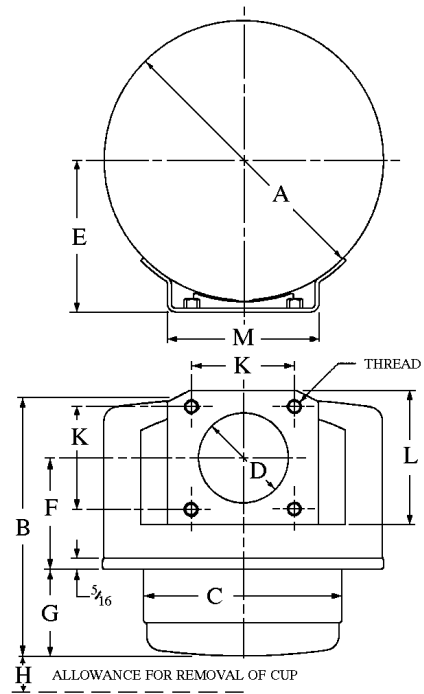


VORTEX AIR CLEANERS



TYPE SA



The Type "SA" Vortex Air Cleaner is identical with Type "S" except that the outlet is constructed with a flanged saddle. The flanged saddle supports the cleaner without a bracket.

CLEANER MODEL NUMBER	RATED AIRFLOW C.F.M.	OIL CAPACITY PINTS	NET WEIGHT POUNDS	A	B	C	D	E	F	G	H	K	L	M	INTERNAL THREAD
SA60	100	0.7	3.6	6 1/8	6 1/2	4 9/16	2	3 3/8	2 5/8	2 7/16	1/2	2 7/8	3 3/4	4 1/4	3/8 - 16NC2
SA78	160	1.0	5.7	7 13/16	7 1/4	5 9/16	2 1/2	4 1/4	3 1/8	2 7/16	1/2	2 7/8	3 3/4	4 1/4	3/8 - 16NC2
SA90	240	1.8	7.3	9 1/16	8 1/4	6 9/16	2 1/2	4 7/8	3 15/32	3	5/8	2 7/8	3 3/4	4 1/4	3/8 - 16NC2
SA110	425	3.5	15.0	11	12 3/4	8 1/32	3 1/2	6	5 3/16	5 1/4	1 3/4	3 7/8	6 3/8	5 1/2	1/2 - 13NC2
SA120	540	5.8	20.8	12 1/16	13 7/8	10 1/16	3 1/2	6 1/2	7 1/8	4 3/8	2 3/8	3 7/8	7 11/16	5 1/2	1/2 - 13NC2

All dimensions and weights are approximate.

VORTEX COMPANY

121 South Indian Hill Blvd.

Claremont, CA 91711

Phone (909) 621-3843 ! FAX (909) 624-7212

F-2227